

**Thank you for
purchasing the**



Dolphin Aquasonic

How the Dolphin Aquasonic works

When the person wearing the Transmitter enters the same body of water as the Alarm Receiver Unit, a loud, penetrating alarm will instantly sound. The alarm will continue to sound until the Transmitter is removed.

Care and maintenance

The following steps are essential to ensure the efficient operation of your Dolphin Aquasonic alarm.

Check the system regularly by submerging the Transmitter in the pool until you hear a tone; indicating that the Alarm Receiver Unit and Transmitter are functioning correctly and that the batteries are charged.

The two contact points and sensor (J) on the bottom of the Alarm Receiver Unit must be kept free from slime to ensure the system works properly.

The lid of the Receiver Unit must be screwed on fully before the device is placed in the pool.

Transmitters should be kept dry as much as possible to prolong the life of their batteries.

The Dolphin Aquasonic alarm is not a toy and should not be subjected to misuse e.g. set-off unnecessarily.

NOTE: The Dolphin Aquasonic system will not work at distances greater than 20 metres. Additional Alarm Receiver Units are available to extend this distance for larger bodies of water.

Warning

While the Dolphin Aquasonic alarm is a valuable safety tool, it is not fail safe.

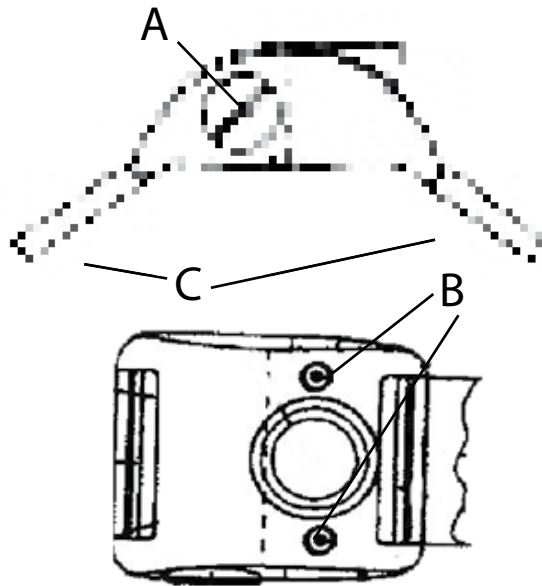
Children should not be left unattended around your pool at any time. To avoid accidents, please test the Transmitter & Alarm Receiver Unit periodically to ensure that they function properly.

Dolphin Aquasonic

Instruction Manual



The Dolphin Aquasonic Transmitter



Fitting the battery

The Transmitter operates on 1 x 23 type 12 V battery.

The battery compartment (A) is protected by a metal screw cap. Unscrew the cap and insert the battery taking care to note polarity. The screw cap must be turned in snugly when replacing.

Usage

The Transmitter is activated by contact with water. When the Transmitter is submerged the two contact points (B) are bridged by the water thus completing a circuit that activates the Transmitter. The Transmitter then sends an ultrasonic signal to the Alarm Receiver Unit, which in turn will activate the alarm. The Transmitter should be worn by young children and non-swimmers and is held in place by means of a tamper-proof strap (C) (tamper proof for children up to 4 years old). It is recommended that you double back the tail of the strap through its buckle for an extra secure hold.

The Dolphin Aquasonic Alarm Receiver Unit

Fitting the batteries

You will require 4 x D type alkaline batteries.

To insert the batteries, unscrew the orange ring (D), lift the lid (E) and pull out the black plastic holder (F) from the bottom of Alarm Receiver Unit bowl. Load the batteries into the holder noting the polarity. Replace the black plastic holder into the bowl, refit the lid and screw on the orange ring, ensuring a snug fit.

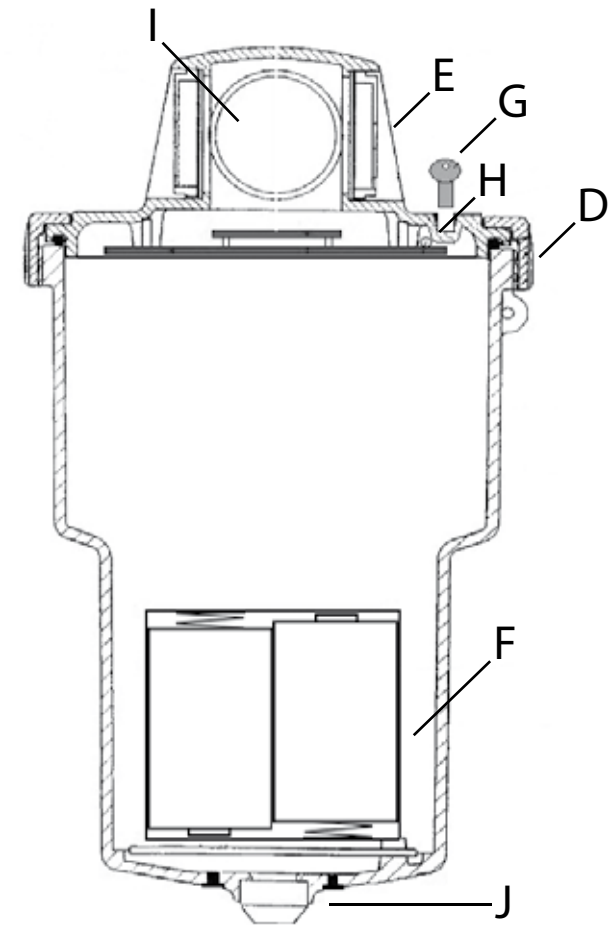
Usage

The Alarm Receiver Unit is turned on by inserting the activation key (G). Insert the key into the key hole (H) and turn to the ON position. After a few seconds the Alarm Receiver Unit should emit a tone to confirm it is active. (Please note: the activation key should be removed from the key hole once the Alarm Receiver Unit is active in order to prevent the unit being accidentally turned off).

Immediately place the Alarm Receiver Unit in the water to prevent activation of the out-of-water alarm. (Note: there is a delay before the out-of-water alarm sounds in order to allow deactivation of the Alarm Receiver Unit)

The Alarm Receiver Unit is now monitoring the water up to a distance of 20 metres and can be left in the water permanently. To deactivate it, insert the activation key and turn to the off position.

When a person wearing the Transmitter enters the same body of water as the Alarm Receiver Unit, the alarm (I) will sound until the Transmitter is removed. The alarm will also be activated if the Alarm Receiver Unit is removed from the pool without the activation key being used to switch it off (out-of-water alarm).



Key

A: Battery compartment

B: Contact points

C: Tamper-proof strap

D: Orange ring

E: Lid

F: Black plastic Battery holder

G: Activation key

H: Key hole

I: Alarm speakers

J: Contact points and sensor
(Ultrasonic signal receiver and out-of-water sensor)